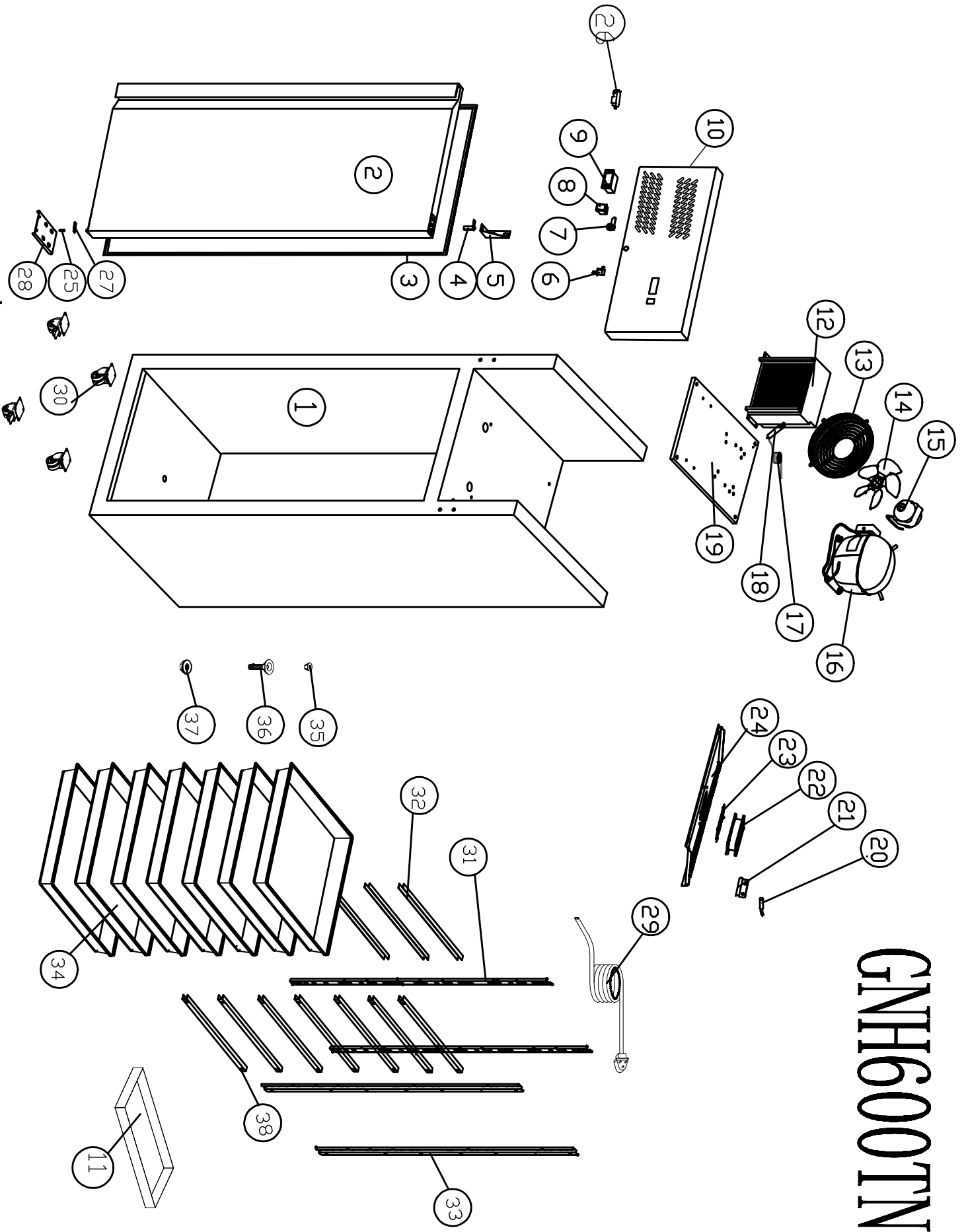


GNH600TNE



GNH600TN FISH SPARE PARTS LIST

	CODE	CODE L2G	Name	Désignation	DESCRIPTION	UNIT	QTY	REMARK
1	SKC-0-000-1261-0	#N/A	BODY	CORPS		SET	1	
2	SKC-0-000-0120-0	#N/A	DOOR	PORTE		SET	1	
3	SKC-2-110-0039-0	#N/A	GASKET	JOINT	PVC	PC	1	
4	SKC-2-160-0600-0	#N/A	DOOR SPRING	RESSORT DE PORTE		PC	1	
5	SKC-2-001-0153-0	GN1200TN.05	UP HINGE/RIGHT	CHARNIERE HAUTE GAUCHE	201#	PC	1	
6	SKC-4-050-0005-0	GN1200TN.06	DOOR SWITCH	BOUTON DE PORTE		PC	1	
7	SKC-2-170-0081-0	GN1200TN.07	LOCK	SERRURE		PC	1	
8	SKC-4-050-0001-0	GE800BT-6	MAIN SWITCH	BOUTON M/A		PC	1	
9	SKC-4-030-0017-0	#N/A	thermostat	THERMOSTAT	DEXLL 02	PC	1	
10	SKC-2-002-0758-0	#N/A	FRONT PANEL	PANNEAU AVANT	201#	PC	1	
11	SKC-2-110-0347-0	GN1200TN.41	WATER PAN	BAC A EAU		PC	1	
12	SKC-2-102-0012-0	#N/A	CONDENSOR	CONDENSEUR		PC	1	
13	SKC-2-120-0041-0	#N/A	BASKET GUARD GRILLS	GRILLE DE VENTILATEUR DE CONDENSEUR		PC	1	
14	SKC-2-105-0003-0	BBT350L.08	CONDENSOR FAN BLADE	HELICE DE VENTILATEUR DE CONDENSEUR		PC	1	
15	SKC-4-001-0005-0	#N/A	motor	MOTEUR	EBM 5w	PC	1	
16	SKC-4-040-0160-0	BBT350L.23	COMPRESSOR	COMPRESSEUR	ZANUSSI	PC	1	
17	SKC-2-104-0165-0	PS900.43	CAPILLARY	CAPILLAIRE		PC	1	
18	SKC-2-103-0001-0	GN1200TN.19	FILTER DRIER	DESHYDRATEUR		PC	1	
19	SKC-2-001-0126-0	GN1200TN.20	UNIT BOARD	SUPPORT GROUPE		PC	1	
20	SKC-4-030-0006-0	GE800BT-29	SENSOR	SONDE		PC	1	
21	SKC-2-002-0036-0	BBT350L.50	PROBE PADDING	SUPPORT SONDE		PC	1	
22	SKC-4-001-0026-0	BBT350L.47	CIRCLE FAN	VENTILATEUR	4C-230HB	PC	1	
23	SKC-2-120-0043-0	BBT350L.46	FAN GUARD	PROTECTION DE VENTILATEUR	SS	PC	1	
24	SKC-2-002-5020-0	#N/A	Air conduct	CONDUIT D'AIR	201#	PC	1	
25	SKC-2-170-0211-0	BBT350L.31	HINGE AXIS	AXE DE CHARNIERE		PC	1	
26	SKC-4-050-0056-0	#N/A	LED light	LED		PC	1	
27	SKC-2-110-0353-0	GN1200TN.43	SHAFT SLEEVE	MANCHON		PC	1	
28	SKC-2-001-0385-0	GN1200TN.45	DOWN HINGE/RIGHT	CHARNIERE BASSE DROITE	201#	PC	1	
29	SKC-4-010-0080-0	#N/A	power core	CABLE ALIMENTATION ELECTRIQUE	RU	PC	1	
30	SKC-2-140-0004-0	#N/A	castor with brake	ROULETTE AVEC FREIN		PC	2	
30	SKC-2-140-0005-0	#N/A	castor without brake	ROULETTE SANS FREIN		PC	2	
31	SKC-2-001-0191-0	#N/A	FRONT SUPPORT	SUPPORT FRONTAL	201#	PC	2	
32	SKC-2-001-0064-0	#N/A	guide left	GLISSIERE GAUCHE	201#	PC	7	
33	SKC-2-001-0192-0	#N/A	BACK SUPPORT	SUPPORT ARRIERE	201#	PC	2	

GNH600TN FISH SPARE PARTS LIST

	CODE	CODE L2G	Name	Désignation	DESCRIPTION	UNIT	QTY	REMARK
34	SKC-2-110-0345-0	#N/A	PLASTIC FISH TRAY	BAC PLASTIQUE POUR STOCKAGE POISSON		PC	7	
35	SKC-2-110-0318-0	GN1200TN.37	drain pipe nut	ECROU DU TUYAU DE VIDANGE	ABS	PC	1	
36	SKC-2-110-0316-0	GN1200TN.38	drain pipe	TUYAU DE VIDANGE		PC	1	
37	SKC-2-110-0317-0	GN1200TN.39	drain pipe cover	BOUCHON DU TUYAU DE VIDANGE	ABS	PC	1	
38	SKC-2-120-0176-0	#N/A	guide right	GLISSIERE DROITE	201#	PC	7	

G